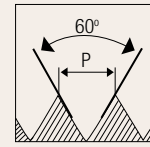




Round Split Dies

MF

Metric fine threads

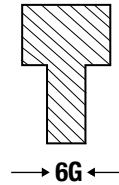
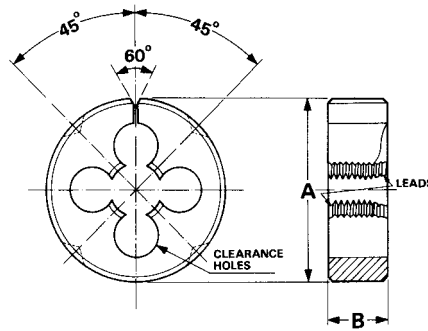


HSS

CS

BS
1127

6G



Unit : mm

Nominal Diameter	Pitch	Outer Diameter	Thickness	No. Clearance Hole	Threading Diameter	HSS	Carbon Steel
						EDP No.	EDP No.
ØD	p	A	B				
M 1.6	0.35	13/16"	1/4"	3	1.56	FBC0201092	FBB0201143
M 2.2	0.45	13/16"	1/4"	3	2.15	FBC0201109	FBB0201160
M 2.3	0.4	13/16"	1/4"	3	2.25	FBC0201115	FBB0201169
M 2.5	0.45	13/16"	1/4"	3	2.45	FBC0201121	FBB0201173
M 2.6	0.45	13/16"	1/4"	3	2.55	FBC0201132	FBB0201182
M 3	0.6	13/16"	1/4"	3	2.96	FBC0201161	FBB0201209
M 3.5	0.6	13/16"	1/4"	3	3.46	FBC0201167	FBB0201218
M 4	0.5	13/16"	1/4"	3	3.95	FBC0201184	FBB0201231
M 4	0.75	13/16"	1/4"	3	3.95	FBC0201212	FBB0201261
M 4.5	0.5	13/16"	1/4"	3	4.45	FBC0201218	FBB0201270
M 4.5	0.75	13/16"	1/4"	3	4.45	FBC0201224	FBB0201275
M 5	0.5	13/16"	1/4"	3	4.95	FBC0201235	FBB0201284
M 5	0.75	13/16"	1/4"	3	4.95	FBC0201241	FBB0201297
M 5	0.9	13/16"	1/4"	3	4.95	FBC0201274	FBB0201323
M 5.5	0.5	13/16"	1/4"	4	5.45	FBC0201280	FBB0201331
M 5.5	0.9	13/16"	1/4"	4	5.45	FBC0201292	FBB0201335
M 6	0.5	13/16"	1/4"	4	5.95	FBC0201298	FBB0201343
M 6	0.75	13/16"	1/4"	4	5.95	FBC0201310	FBB0201353
M 7	0.75	13/16"	1/4"	4	6.95	FBC0201373	FBB0201393

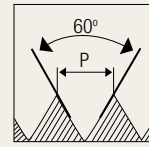
DIES



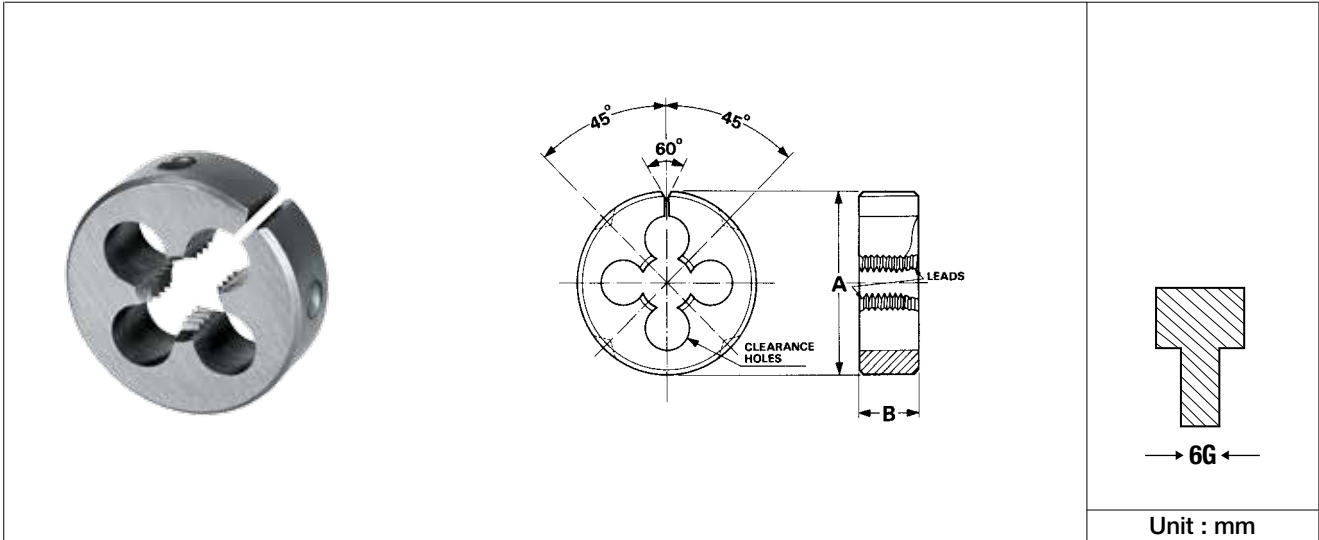
Round Split Dies

MF

Metric fine threads



HSS **CS** **BS 1127** **6G**



Unit : mm

Nominal Diameter	Pitch	Outer Diameter	Thickness	No. Clearance Hole	Threading Diameter	Material	
						HSS	Carbon Steel
ØD	p	A	B			EDP No.	EDP No.
M 6	0.5	1"	3/8"	4	5.95	FBC0201304	FBB0201348
M 6	0.75	1"	3/8"	4	5.95	FBC0201316	FBB0201358
M 7	0.75	1"	3/8"	4	6.95	FBC0201379	FBB0201398
M 8	0.75	1"	3/8"	4	7.97	FBC0201408	FBB0201429
M 8	1	1"	3/8"	4	7.93	FBC0201420	FBB0201434
M 9	0.75	1"	3/8"	4	8.95	FBC0201453	FBB0201482
M 9	1	1"	3/8"	4	8.93	FBC0201464	FBB0201487
M 10	0.5	1"	3/8"	4	9.93	FBC0201481	FBB0202548
M 10	0.75	1"	3/8"	4	9.95	FBC0201487	FBB0201509
M 10	1	1"	3/8"	4	9.93	FBC0201499	FBB0201518
M 10	1.25	1"	3/8"	4	9.93	FBC0201516	FBB0201535
M 11	1	1.1/2"	1/2"	5	10.93	FBC0201554	FBB0201597
M 11	1.5	1.1/2"	1/2"	4	10.91	FBC0201576	FBB0201613
M 12	1	1.1/2"	1/2"	5	11.93	FBC0201604	FBB0201634
M 12	1.25	1.1/2"	1/2"	5	11.92	FBC0201620	FBB0201647
M 12	1.5	1.1/2"	1/2"	4	11.91	FBC0201636	FBB0201668
M 14	1	1.1/2"	1/2"	5	13.93	FBC0201685	FBB0201726
M 14	1.25	1.1/2"	1/2"	5	13.92	FBC0201696	FBB0201731

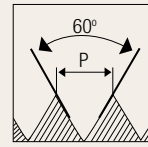
DIES



Round Split Dies

MF

Metric fine threads

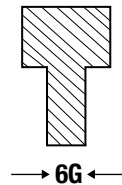
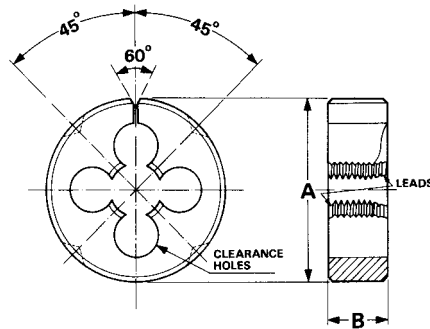


HSS

CS

BS
1127

6G



Unit : mm

Nominal Diameter	Pitch	Outer Diameter	Thickness	No. Clearance Hole	Threading Diameter	HSS	Carbon Steel
						EDP No.	EDP No.
ØD	p	A	B				
M 14	1.5	1.1/2"	1/2"	5	13.91	FBC0201707	FBB0201744
M 15	1.5	1.1/2"	1/2"	5	14.91	FBC0201757	FBB0201786
M 16	1	1.1/2"	1/2"	5	15.93	FBC0201763	FBB0201795
M 16	1.5	1.1/2"	1/2"	5	15.91	FBC0201781	FBB0201813
M 18	1.5	1.1/2"	1/2"	6	17.91	FBC0201820	FBB0201861
M 20	1.5	1.1/2"	1/2"	6	19.91	FBC0201874	FBB0201902
M 20	1.5	2"	5/8"	5	19.91	FBC0201880	FBB0201907
M 22	1.5	2"	5/8"	6	21.91	FBC0201922	FBB0201940
M 24	1	2"	5/8"	6	23.93	FBC0201940	FBB0201953
M 24	1.5	2"	5/8"	6	23.90	FBC0201946	FBB0201958
M 25	1.5	2"	5/8"	6	24.91	FBC0201970	FBB0201977
M 26	1.5	2"	5/8"	6	25.90	FBC0201988	FBB0201986
M 27	1.5	2"	5/8"	6+6	26.9	FBC0202000	FBB0202641
M 28	1.5	2"	5/8"	6+6	27.9	FBC0202012	FBB0202711
M 30	1.5	2"	5/8"	6+6	29.9	FBC0202024	FBB0201991
M 32	1.5	2.1/4"	11/16"	6+6		FBM2300087	FBM2300368
M 33	1.5	2.1/4"	11/16"	6+6		FBM2300091	FBM2300595

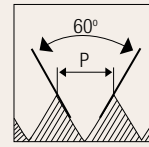
DIES



Round Split Dies

MF

Metric fine threads

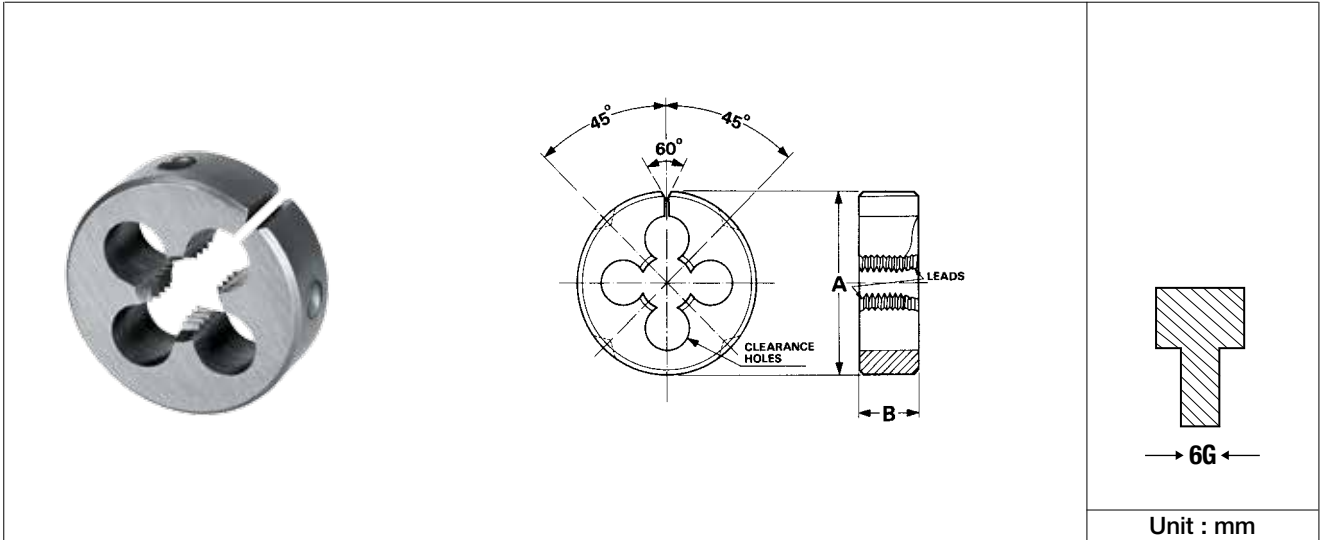


HSS

CS

BS
1127

6G



Unit : mm

Nominal Diameter	Pitch	Outer Diameter	Thickness	No. Clearance Hole	Threading Diameter	HSS	Carbon Steel
						EDP No.	EDP No.
ØD	p	A	B				
M 34	1.5	2.1/2"	7/8"	6		FBM2300097	FBM2300381
M 35	1.5	2.1/2"	7/8"	6		FBM2300100	FBM2300383
M 36	1.5	2.1/2"	7/8"	6		FBM2300102	FBM2300385
M 40	1.5	2.1/2"	7/8"	6		FBM2300114	FBM2300404
M 34	1.5	3"	7/8"	6		FBM2300098	FBM2300382
M 35	1.5	3"	7/8"	6		FBM2300101	FBM2300384
M 36	1.5	3"	7/8"	6		FBM2300103	FBM2300386
M 38	1.5	3"	7/8"	6		FBM2300109	FBM2300396
M 45	1.5	3"	7/8"	6		FBM2300123	-
M 45	1.5	4"	1"	6		FBM2300124	FBM2300410
M 46	1.5	4"	1"	6		FBM2300126	FBM2300411
M 48	1.5	4"	1"	8		FBM2300127	FBM2300412
M 50	1.5	4"	1"	6		FBM2300131	FBM2300414
M 52	1.5	4"	1"	6		FBM2300132	FBM2300415
M 55	1.5	4"	1"	6		FBM2300133	FBM2300416
M 60	1.5	4"	1"	6		FBM2300134	FBM2300418

DIES