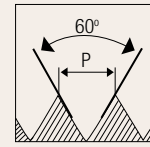


M

Metric coarse threads

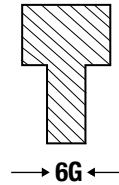
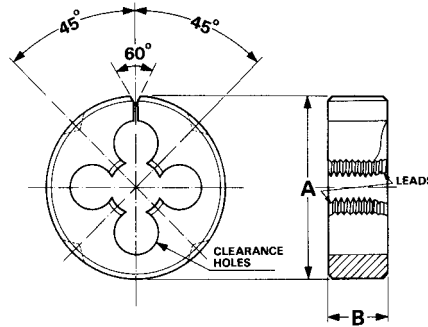


HSS

CS

BS
1127

6G



Unit : mm

Nominal Diameter	Pitch	Outer Diameter	Thickness	Clearance Holes	Threading Diameter	HSS	Carbon Steel
ØD	p	A	B			EDP No.	EDP No.
M 2	0.4	13/16"	1/4"	3	1.96	FBC0201098	FBB0201147
M 3	0.5	13/16"	1/4"	3	2.95	FBC0201150	FBB0201196
M 4	0.7	13/16"	1/4"	3	3.95	FBC0201196	FBB0201248
M 5	0.8	13/16"	1/4"	3	4.95	FBC0201253	FBB0201310
M 6	1	13/16"	1/4"	4	5.93	FBC0201334	FBB0201371
M 7	1	13/16"	1/4"	4	6.93	FBC0201385	FBB0201407
M 6	1	1"	3/8"	4	5.93	FBC0201346	FBB0201380
M 7	1	1"	3/8"	4	6.93	FBC0201391	FBB0201416
M 8	1.25	1"	3/8"	4	7.92	FBC0201432	FBB0201456
M 9	1.25	1"	3/8"	4	8.93	FBC0201470	FBB0201496
M 10	1.5	1"	3/8"	4	9.91	FBC0201538	FBB0201560
M 12	1.75	1.1/2"	1/2"	4	11.90	FBC0201663	FBB0201697
M 14	2	1.1/2"	1/2"	5	13.89	FBC0201734	FBB0201762
M 16	2	1.1/2"	1/2"	5	15.89	FBC0201803	FBB0201826
M 18	2.5	1.1/2"	1/2"	6	17.88	FBC0201838	FBB0201880
M 20	2.5	1.1/2"	1/2"	6	19.88	FBC0201904	FBB0201926

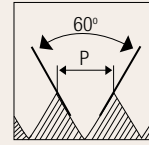
DIES



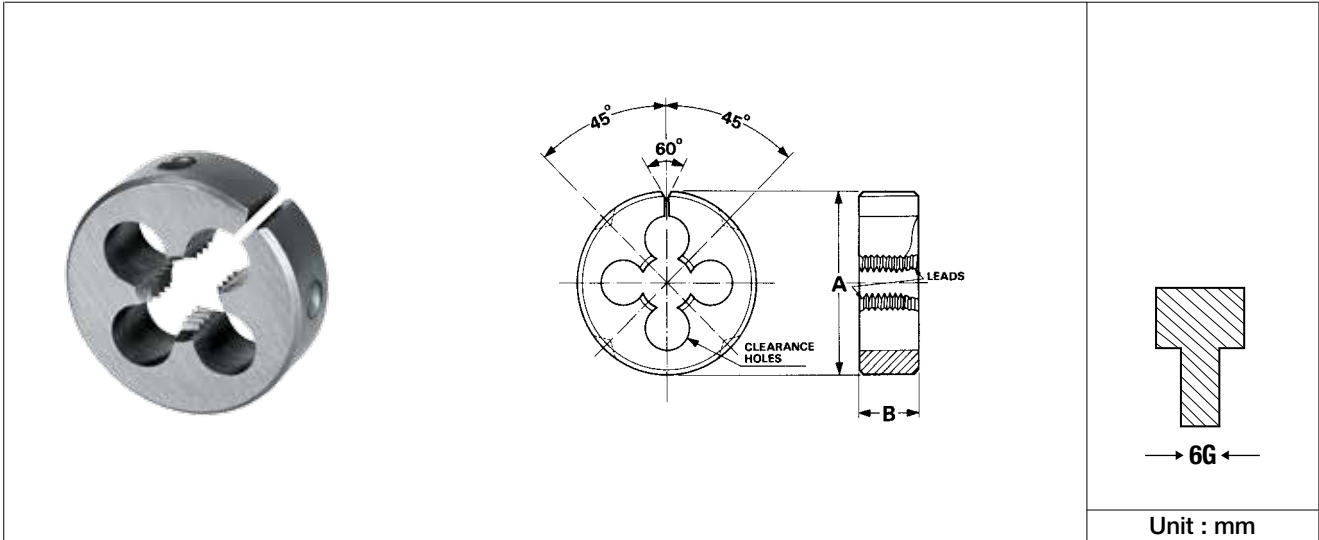
Round Split Dies

M

Metric coarse threads



HSS
CS
BS 1127
6G



Unit : mm

Nominal Diameter	Pitch	Outer Diameter	Thickness	Clearance Holes	Threading Diameter	HSS	Carbon Steel
ØD	p	A	B			EDP No.	EDP No.
M 20	2.5	2"	5/8"	5	19.88	FBC0201910	FBB0201931
M 22	2.5	2"	5/8"	5	21.88	FBC0201934	FBB0201949
M 24	3	2"	5/8"	5	23.88	FBC0201958	FBB0201968
M 27	3	2.1/4"	11/16"	6		FBM2300071	FBM2300344
M 30	3.5	2.1/4"	11/16"	6		FBM2300084	FBM2300364
M 33	3.5	2.1/4"	11/16"	6		FBM2300094	FBM2300377
M 36	4	2.1/2"	7/8"	6		FBM2300106	FBM2300391
M 36	4	3"	7/8"	6		FBM2300107	FBM2300392
M 39	4	3"	7/8"	6		FBM2300113	FBM2300402
M 42	4.5	3"	7/8"	6		FBM2300120	FBM2300408
M 48	5	4"	1"	6		FBM2300130	FBM2300413

DIES