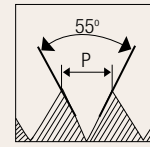




Round Split Dies

BSF

Whitworth fine threads

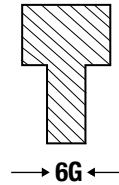
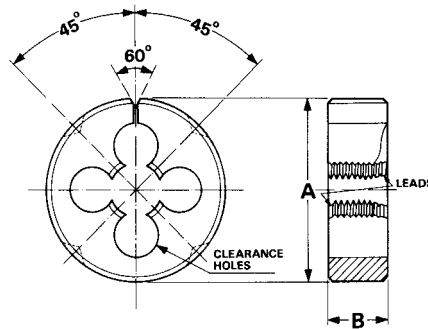


HSS

CS

BS
1127

6G



Unit : mm

Nominal Diameter ØD	TPI	Outer Diameter A	Thickness B	No. Clearance Hole	Threading Diameter	HSS	Carbon Steel
						EDP No.	EDP No.
3/16"	32	13/16"	1/4"	3	4.73	FBC0200257	FBB0200261
7/32"	28	13/16"	1/4"	4	5.51	FBC0200263	FBB0200270
1/4"	26	13/16"	1/4"	4	6.31	FBC0200269	FBB0200279
1/4"	26	1"	3/8"	4	6.31	FBC0200275	FBB0200283
9/32"	26	1"	3/8"	4	7.1	FBC0200281	FBB0200299
5/16"	22	1"	3/8"	4	7.89	FBC0200287	FBB0200303
3/8"	20	1"	3/8"	4	9.47	FBC0200293	FBB0200320
7/16"	18	1.1/2"	1/2"	4	11.05	FBC0200314	FBB0200341
1/2"	16	1.1/2"	1/2"	4	12.63	FBC0200330	FBB0200349
9/16"	16	1.1/2"	1/2"	5	14.22	FBC0200336	FBB0200358
5/8"	14	1.1/2"	1/2"	5	15.80	FBC0200342	FBB0200366
3/4"	12	1.1/2"	1/2"	5	18.97	FBC0200353	FBB0200383
7/8"	11	2"	5/8"	5	22.14	FBC0200359	FBB0200391
1"	10	2"	5/8"	6	25.30	FBC0200365	FBB0200395
1.1/8"	9	2.1/4"	11/16"	6		FBM2300016	FBM2300306

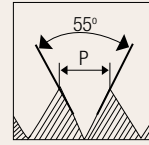
DIES



Round Split Dies

BSF

Whitworth fine threads

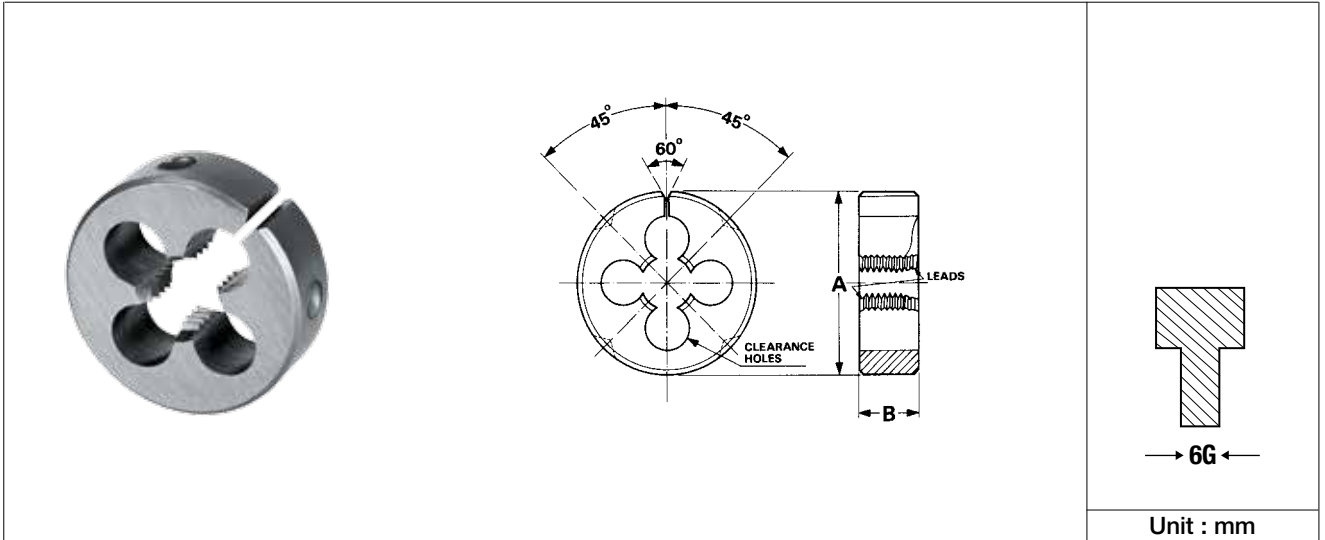


HSS

CS

BS
1127

6G



Unit : mm

Nominal Diameter ØD	TPI	Outer Diameter A	Thickness B	No. Clearance Hole	Threading Diameter	HSS	Carbon Steel
						EDP No.	EDP No.
1.1/4"	9	2.1/4"	11/16"	6		FBM2300020	FBM2300308
1.3/8"	8	2.1/2"	7/8"	6		FBM2300025	FBM2300310
1.1/2"	8	2.1/2"	7/8"	6		FBM2300027	FBM2300311
1.1/2"	8	3"	7/8"	6		FBM2300028	FBM2300312
1.3/4"	7	4"	1"	6		FBM2300029	FBM2300313
2"	7	4"	1"	6		FBM2300030	-

DIES