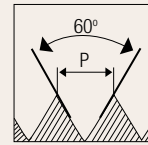




Round Solid Dies

M

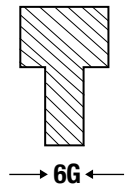
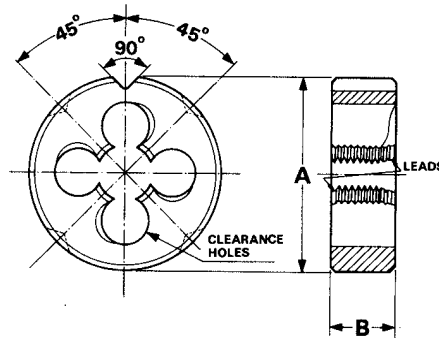
Metric coarse threads



HSS

DIN
22568

6G



Unit : mm

| Nominal Diameter ØD | TPI | Outer Diameter | Thickness | No. Clearance Hole | Threading Diameter | HSS |
|------------------------|------|----------------|-----------|--------------------|--------------------|------------|
| | | A | B | | | EDP No. |
| M3 | 0.5 | 20 | 5 | 3 | 2.92 | FBC0202397 |
| M3.5 | 0.6 | 20 | 5 | 3 | 3.41 | FBC3202399 |
| M4 | 0.7 | 20 | 5 | 3 | 3.9 | FBC0202401 |
| M4.5 | 0.75 | 20 | 7 | 3 | 4.4 | FBC3202404 |
| M5 | 0.8 | 20 | 7 | 3 | 4.9 | FBC0202408 |
| M6 | 1 | 20 | 7 | 4 | 5.88 | FBC0202414 |
| M7 | 1 | 25 | 9 | 4 | 6.88 | FBC3202478 |
| M8 | 1.25 | 25 | 9 | 4 | 7.86 | FBC0202423 |
| M9 | 1.25 | 25 | 9 | 4 | 8.86 | FBC3202479 |
| M10 | 1.5 | 30 | 11 | 4 | 9.85 | FBC0202498 |
| M11 | 1.5 | 30 | 11 | 4 | 10.85 | FBC3202480 |
| M12 | 1.75 | 38 | 14 | 4 | 11.83 | FBC0202443 |
| M14 | 2 | 38 | 14 | 4 | 13.82 | FBC0202451 |
| M16 | 2 | 45 | 18 | 5 | 15.82 | FBM3200278 |
| M18 | 2.5 | 45 | 18 | 5 | 17.79 | FBM3200282 |
| M20 | 2.5 | 45 | 18 | 5 | 19.79 | FBM2300611 |
| M22 | 2.5 | 55 | 22 | 5 | 21.79 | FBC3202481 |
| M24 | 3 | 55 | 22 | 5 | 23.76 | FBM3200291 |

DIES